

READ THIS FIRST

**THIS DOCUMENT PROVIDES
INSTALLATION INSTRUCTIONS FOR
YOUR DXi4000 SYSTEM.**

**IMPORTANT: READ THIS ENTIRE
INSTALLATION DOCUMENT BEFORE
YOU START TO UNPACK OR INSTALL
YOUR DXi4000 SYSTEM.**

Contents

DXi4000 Installation and Configuration Guide

This guide provides basic installation and configuration instructions for the DXi4000 system (see [Figure 1](#)). For more information, see the *Quantum DXi4000 User's Guide* (PN 6-67092).

- DXi4000 Configurations..... 2
- Choosing a Location 2
 - Installation Requirements..... 2
 - Rack Space Requirements 3
 - Environmental Conditions 3
- Preparing for the Installation 3
 - Necessary Tools 3
 - Taking ESD Precautions 4
- Unpacking the DXi4000 4
- Installing the DXi4000 System 6
 - Locating the Mounting Position 6
 - Installing the DXi4000 7
 - Cabling the DXi4000 10
- Initial Configuration..... 11
 - Accessing the DXi4000, Remote Management Console 12
 - Completing the Getting Started Wizard 14
 - Connecting the Ethernet Cables 21
 - Creating a Typical Backup Configuration..... 22

Note: Make sure to take the online training for the DXi4000 in order to make the best use of your product. The online training is available at www.quantum.com/ServiceandSupport/StorageCareLearning/Index.aspx

Figure 1 DXi4000 System



Note: This *Installation and Configuration Guide* is for DXi4000 with DXi 2.3 Software.

DXi4000 Configurations

The DXi4000 is available in the following configurations (see [Table 1](#)):

Table 1 DXi4000 Configurations

| DXi4000 Configuration | Raw Capacity | Usable Capacity | Number of Hard Drives | Hard Drive Capacity |
|--|--------------------------|--------------------------------|-----------------------|---------------------|
| Model 4510 (4 x 1GbE Ethernet ports) | 4 TB | 2.2 TB | 8 | 500 GB |
| Model 4520 (4 x 1GbE Ethernet ports) | 8 TB | 4.4 TB | 8 | 1 TB |
| Model 4601 (4 x 1GbE Ethernet ports) | 4 TB* 8 TB* 12 TB* | 3.87 TB 7.74 TB 11.61 TB | 8 | 2 TB |

* For DXi4601, raw storage capacity can be upgraded at any time after purchase in increments of 4 TB, up to a total of 12 TB. Storage capacity upgrades are enabled simply by adding a license key and rebooting the system. To purchase a storage capacity upgrade license, contact your Quantum sales representative. After you obtain the storage capacity license, refer to the section "Adding a License Key" in the *DXi4000 User's Guide* (6-67092) for instructions on completing the capacity upgrade.

Choosing a Location

Quantum recommends installing the DXi4000 system in a controlled or restricted area to prevent access by untrained personnel. In addition, Quantum recommends that system installation be performed only by qualified IT personnel.

When choosing an installation site for the DXi4000 system, consider the following requirements:

- [Installation Requirements](#) on page 2
- [Rack Space Requirements](#) on page 3
- [Environmental Conditions](#) on page 3

Installation Requirements

Review the *DXi4000 Site Planning Guide* (6-67093) to ensure that your site meets the installation requirements for the DXi4000. You can obtain DXi4000 product documentation at: <http://www.quantum.com/dxi4000docs>

Rack Space Requirements

[Table 2](#) contains the rack requirements for the DXi4000 components.

Table 2 Rack Requirements

| | DXi4000 |
|-----------------------|---|
| Height | 2U, 3.40 in (8.6 cm) |
| Width (side to side) | 17.19 in (43.6 cm) |
| Depth (front to back) | 24.09 in (61 cm) |
| Weight (stand alone) | 49.5 lbs (22.5 Kg) |
| Air Clearance | Open 4 in (10.2 cm) behind unit for proper air flow |

Environmental Conditions

The installation site must have the following environmental conditions:

- Humidity: 20% to 80% (non-condensing)
- Temperature: 10 to 35 °C (50 to 95 °F) 35 °C Max, Altitude = 900 m or 2952.75 ft (28 °C Max, Altitude = 3048 m or 10,000 ft)

These environmental conditions apply when the DXi4000 system is in operation.

Note: For additional specifications, refer to the *Quantum DXi4000 User's Guide* (6-67092).

Preparing for the Installation

Before you begin the installation procedure in this section, make the following preparations as described in this section:

- [Necessary Tools](#) on page 3
- [Taking ESD Precautions](#) on page 4

Necessary Tools

Provide the following tools for unpacking and installing the DXi4000:

- #2 PHILLIPS screwdriver
- Notebook PC (for setting up initial system configuration)

Taking ESD Precautions

Some components within the DXi4000 system contain static-sensitive parts. To avoid damaging these parts while performing installation procedures, always observe the following precautions:

- Keep the DXi4000 system turned off during all installation procedures.
- Keep static-sensitive parts in their original shipping containers until ready for installation.
- Do not place static-sensitive parts on a metal surface. Place them inside their protective shipping bag or on an antistatic mat.
- Wear anti-static wrist bands when unpacking and handling the units, and avoid touching connectors and other components.

Note: Dry climates and cold-weather heating environments have lower relative humidity and are more likely to produce static electricity.

Unpacking the DXi4000

By following these instructions, you help ensure that the system will continue to be safeguarded after it arrives at the installation site.

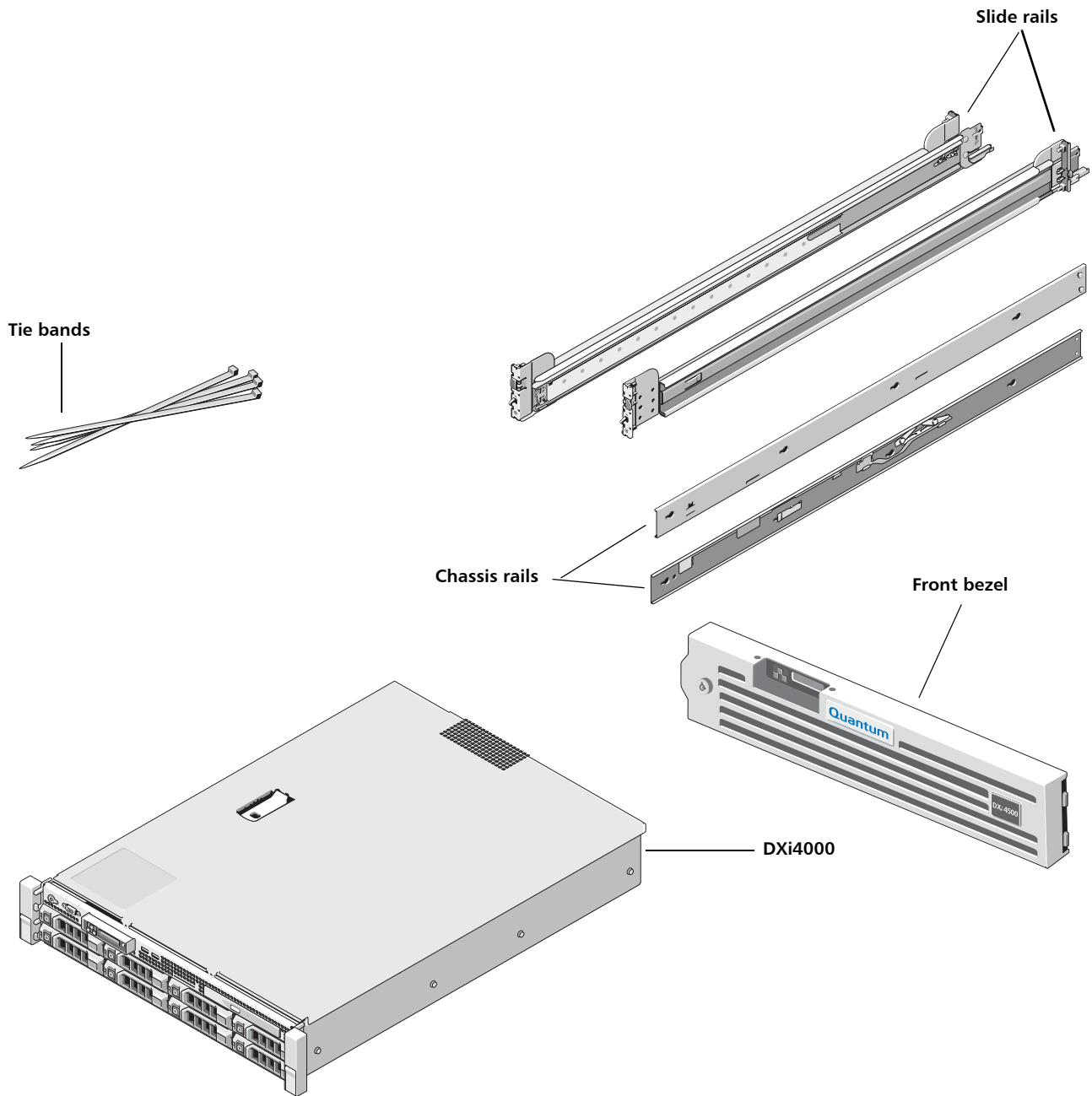
Unpack and remove the following components from the packing materials (see [Figure 1](#)):

- DXi4000 chassis
- Front bezel with key
- (4) power cords, (2) U.S. and (2) International
- (2) Ethernet cables
- Left and right slide assemblies
- Product Information Guide
- Document kit includes:
 - DXi4000 Installation and Configuration Instructions
 - Quantum Products Regulatory Documentation CD
 - User essentials document
 - Registration card
 - Terms and conditions

Caution: Do NOT discard the packing materials after the system is unpacked. The packaging materials must be used if the system is relocated.

WARNING: The DXi4000 weighs 49.5 lbs (22.5 Kg). Two people are required to lift the chassis.

Figure 1 Unpacking the DXi4000



Installing the DXi4000 System

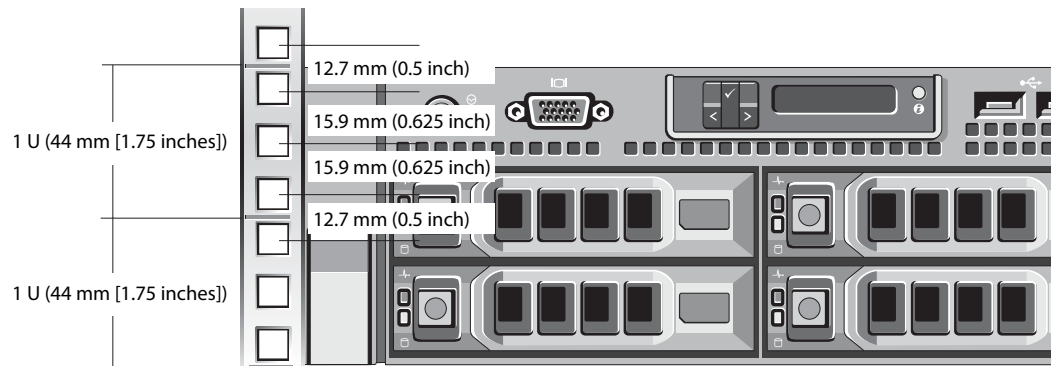
Installing the DXi4000 in a rack consists of the following steps:

- 1 [Locating the Mounting Position](#) on page 6
- 2 [Installing the DXi4000](#) on page 7
- 3 [Cabling the DXi4000](#) on page 10

Locating the Mounting Position

The DXi4000 systems is designed to fit in a standard 19 inch wide rack. It is important for the chassis installation to locate the hole pattern in the rack rails. You must allow 2U (3.5 in (8.9 cm)) of vertical space for the DXi4000 system. Rack cabinets that meet EIA-310 standards have an alternating pattern of three holes per rack unit with center-to-center hole spacing (beginning at the top hole of a 1-U space) of 15.9 mm, 15.9 mm, and 12.7 mm (0.625 inch, 0.625 inch, and 0.5 inch) for the front and back vertical rails (see [Figure 2](#)). Rack cabinets may have round or square holes.

Figure 2 Rail Hole Pattern



WARNING: If the rack is empty at the time of installation, do NOT install the DXi4000 chassis too high in the rack. The weight of the chassis may cause the rack to become “top heavy” and unstable if installed in the top of an empty rack.

To mark the rack, perform the following step:

- 1 Place a mark (or tape) on the rack's front vertical rails where you want to locate the bottom of the system you are installing in the rack. The bottom of each 1-U space is at the middle of the narrowest metal area between holes (marked with a horizontal line on some rack cabinets).

Installing the DXi4000

Installing the DXi4000 consists of the following steps:

- 1 [Installing the DXi4000 Rack Mounting Rails](#) on page 7
- 2 [Installing the DXi4000 Chassis](#) on page 9

Installing the DXi4000 Rack Mounting Rails

- 1 Install the rack mounting rails (see [Figure 3](#) for square holes and [Figure 4](#) for Round holes):
 - a Position the left and right rail end pieces of the rail module labeled **FRONT** facing inward and orient each end piece to seat in the square holes on the front side of the vertical rack flanges. Align each end piece to seat the pegs in the bottom hole of the first U space and the top hole of the second U space.
 - b Engage the back end of the rail until it fully seats on the vertical rack flange and the second tooth on the latch locks in place.

Note: To remove the rack mounting rails, pull the **Release** latch located on the front of the rail.

Figure 3 Installing the Rack Mounting Rails (Square Holes)

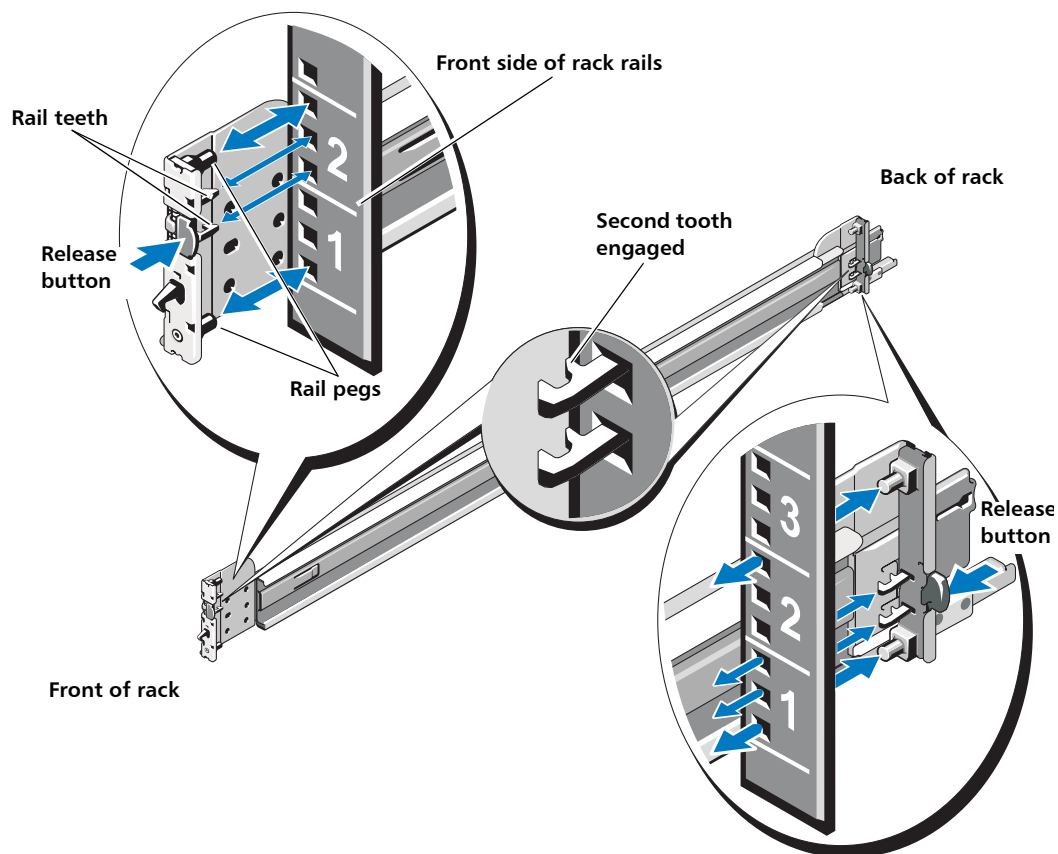
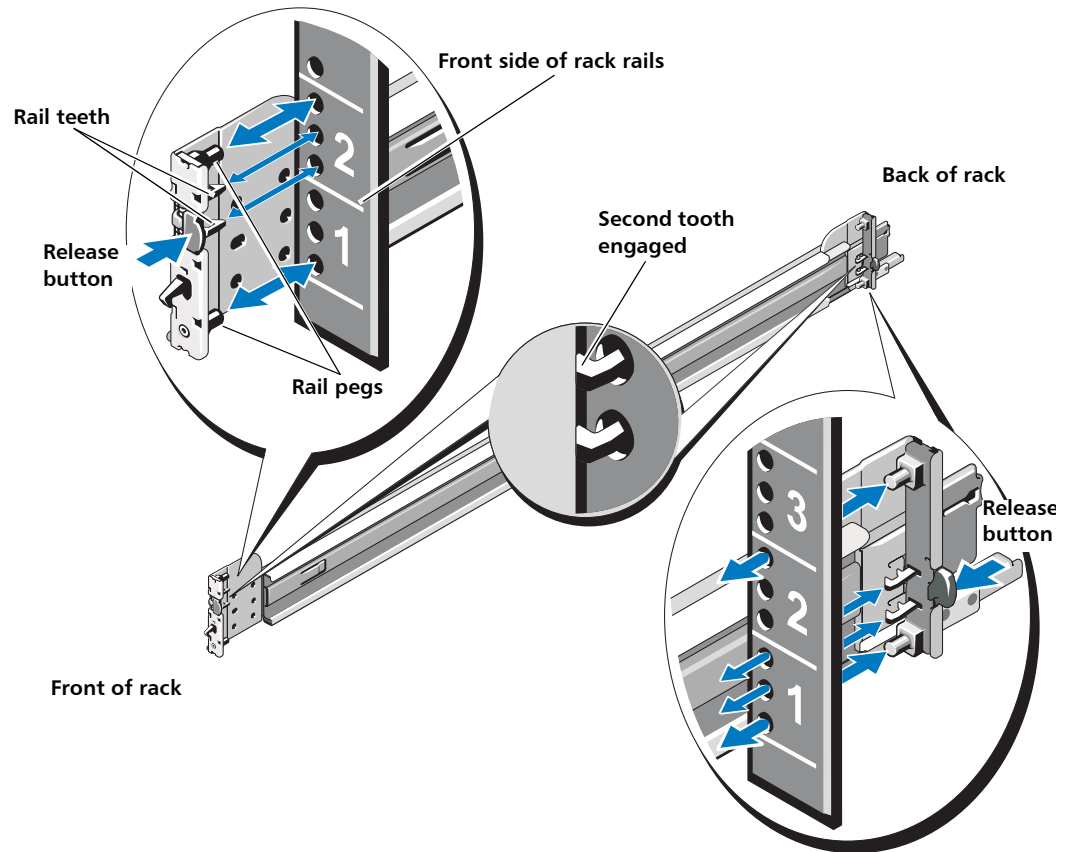


Figure 4 Installing the Rack Mounting Rails (Round Holes)

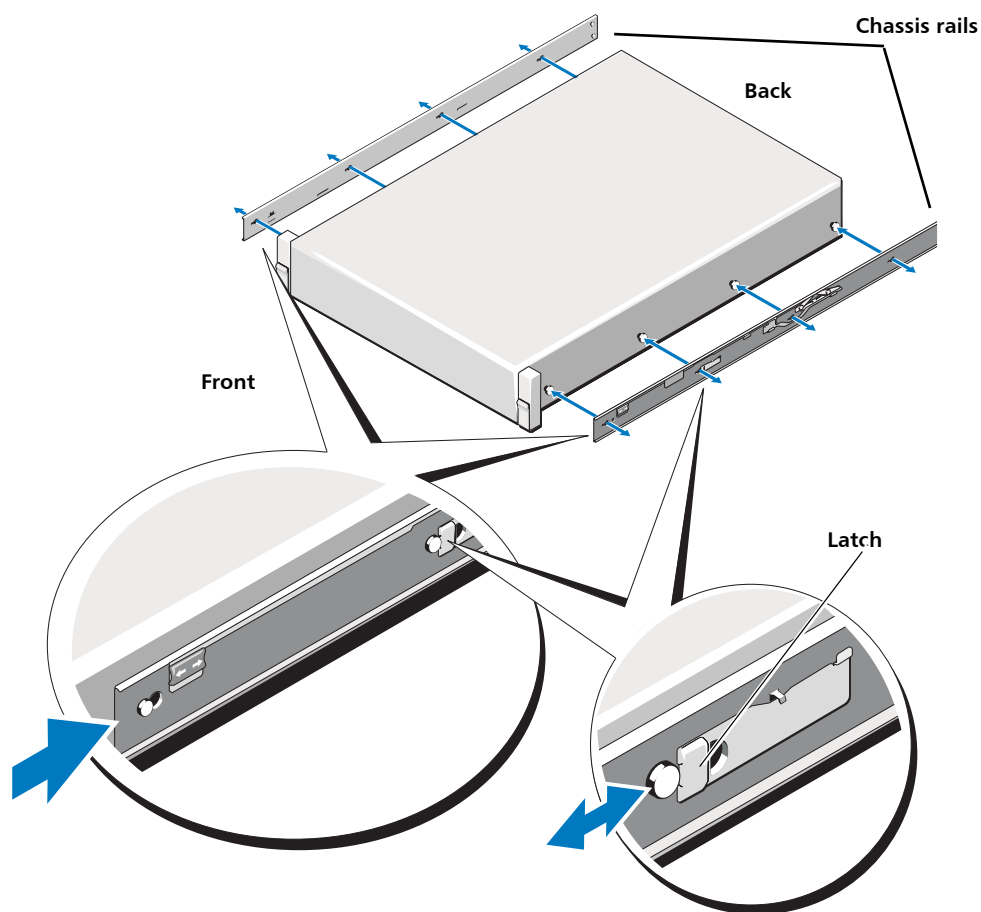


- 2 Place the DXi4000 on a level surface and align the four keyhole slots on the chassis rails with the corresponding pins on the system. Slide the chassis rails towards the back of the system until each one locks into place (see [Figure 5](#)).

WARNING: The DXi4000 weighs 49.5 lbs (22.5 Kg). Two people are required to lift the chassis.

Note: To disengage the chassis rails, pull the latch and push the rails toward the front of the chassis.

Figure 5 Installing the Chassis Rails



Installing the DXi4000 Chassis

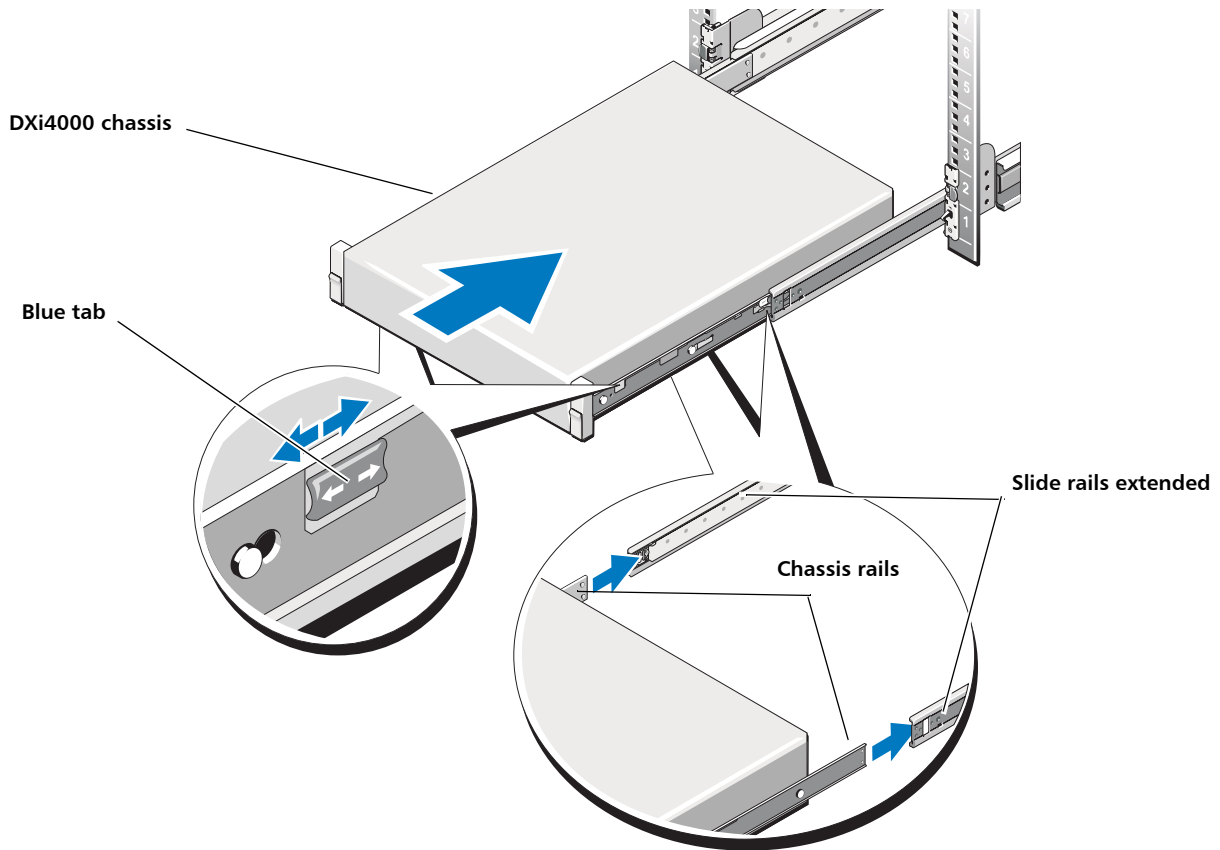
WARNING: Ensure that the system is properly supported until the chassis rails are locked into the slide rails on both sides.

1 To install the DXi4000 chassis (see [Figure 6](#)):

WARNING: The DXi4000 weighs 49.5 lbs (22.5 Kg). Two people are required to lift the chassis.

- a Pull the slide rails out of the rack until they lock into place.
- b Align and insert the ends of the chassis rails into the ends of the slide rails. Push the system inward until the chassis rails lock into place.
- c Push or pull the blue tab located near the front of the system and slide the system into the rack.

Figure 6 Installing the DXi4000 Chassis



Cabling the DXi4000

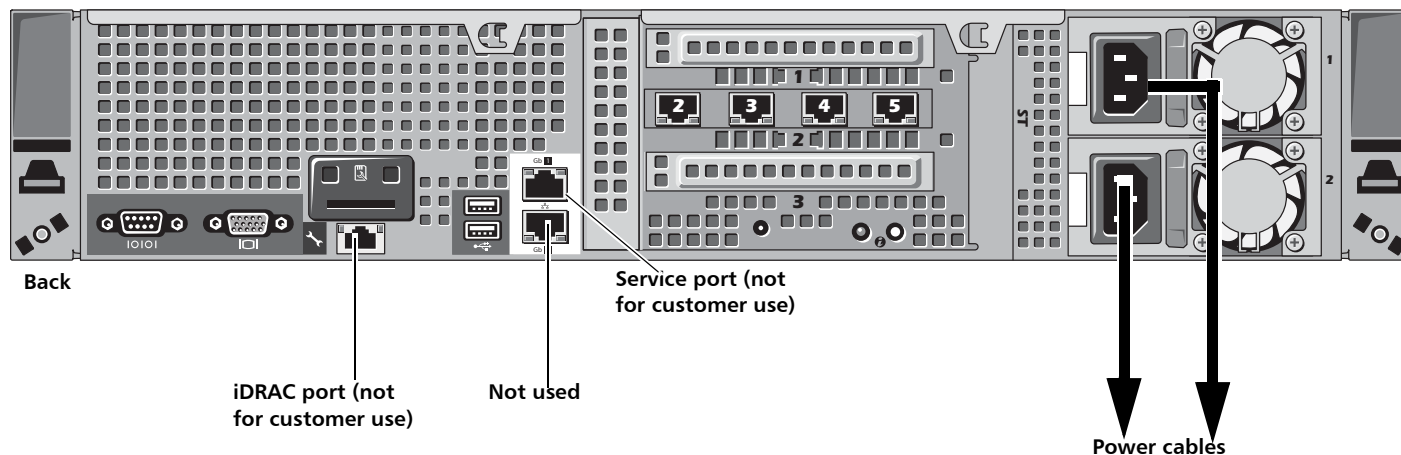
To cable the DXi4000 (see [Figure 7](#)):

- 1 Connect a power cable to each power supply (two).

Note: It is recommended that you connect each power cord to a separate AC circuit to ensure system availability in case of a power failure.

- 2 Do NOT connect any Ethernet cables at this time.

Figure 7 Cabling the DXi4000



Initial Configuration

Before the DXi4000 is operational, you must configure the system through the remote management console. You must also configure your backup software.

Configuring the DXi4000 consists of four major steps. See the following subsections for detailed instructions for completing each step:

- 1 [Accessing the DXi4000, Remote Management Console](#) on page 12
- 2 [Completing the Getting Started Wizard](#) on page 14
- 3 [Connecting the Ethernet Cables](#) on page 21
- 4 [Creating a Typical Backup Configuration](#) on page 22

Note: You will need a computer and an Ethernet cable to complete the initial setup.

Note: If you attempt to install multiple DXi4000 systems at the same time, an IP address conflict can occur because each system is configured with the same default IP address (10.1.1.1). To avoid this problem, install one system and configure it to use a different IP address before you connect another system to the network.

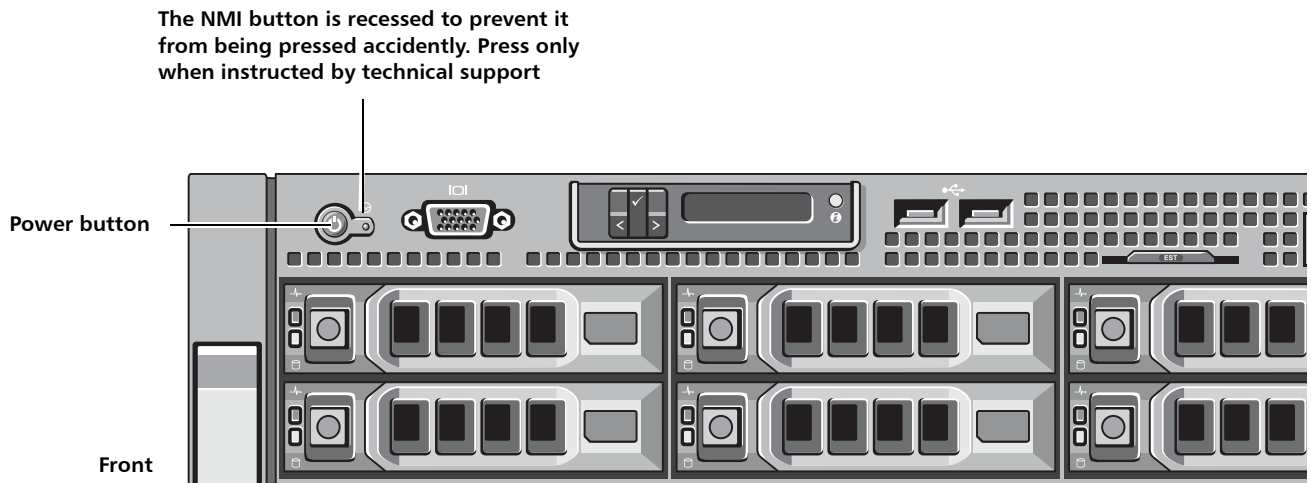
Accessing the DXi4000, Remote Management Console

To access the DXi4000 remote management console:

- 1 Turn on the DXi4000 system by pressing the power button located on the front of each chassis (see [Figure 8](#)).

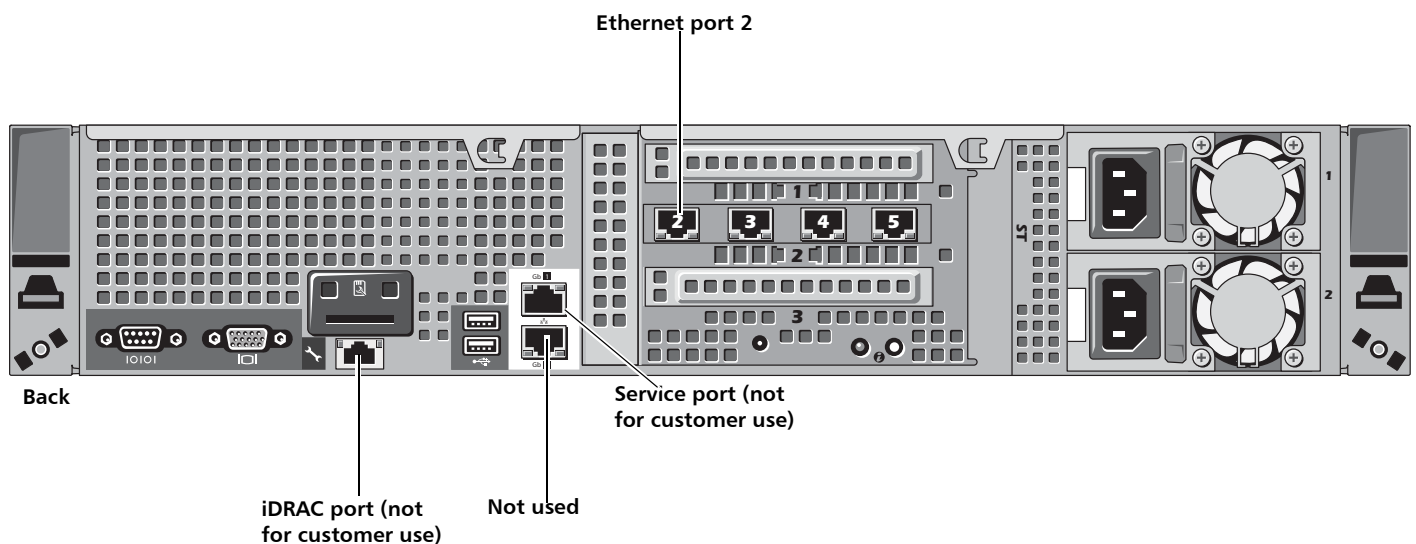
Note: Wait for the system to boot before continuing with the procedure. This can take up to 30 minutes.

Figure 8 Power Buttons



- 2 Using an Ethernet cable, connect the Ethernet port on the computer to Ethernet port 2 on the back of the DXi4000. Ethernet port 2 is in the far left-hand Ethernet port in the middle PCI slot (slot 2) as you face the back of the system (see [Figure 9](#)).

Figure 9 Ethernet Ports



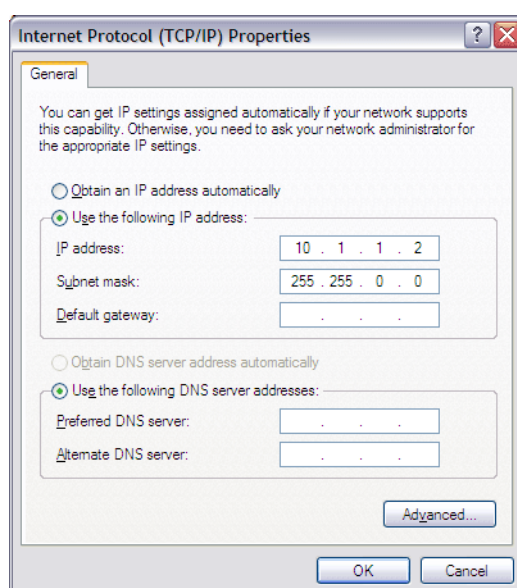
3 Configure the network settings on the computer:

Note: This procedure assumes you are running Windows XP on the computer. The steps might be different if you are using another operating system.

- a On the Windows **Start** menu, click **Connect To > Show all connections**.
- b Right-click the network connection that corresponds to the Ethernet port on the computer (for example, **Local Area Connection**), and click **Properties**.
- c Select **Internet Protocol (TCP/IP)** in the list of connections, and then click **Properties**.

The **Internet Protocol (TCP/IP) Properties** window displays (see [Figure 10](#)).

Figure 10 Internet Protocol (TCP/IP) Properties Window



- d Select **Use the following IP Address** and then enter the following information:

Caution: Before changing the IP address information, write down the original settings. This will be used later to reset the network configuration.

- **IP address** - 10.1.1.2
- **Subnet mask** - 255.255.0.0

- e Click **OK**.
- f Wait at least two minutes for the computer to set the IP addresses on the local computer.

- 4 On the computer, open a supported Web browser, type **10.1.1.1** in the **Address** box, and press **<Enter>**.

The **Login** window displays (see [Figure 11](#)).

Note: For Web browsers, the DXi4000 supports Firefox 10 or higher, Chrome 21 or higher, or Internet Explorer 8 or higher (use compatibility mode for Internet Explorer 10).

Note: If the **Login** window does not display, verify that you entered the correct IP address (10.1.1.1) and that the network settings on the computer are correct. Wait five minutes, then try again. If the **Login** window still does not display, contact Quantum Customer Support. (Contact information is located on the last page of this document.)

Continue with the next section to log on to the system and complete the **Getting Started** wizard.

Figure 11 Login Window

Completing the Getting Started Wizard

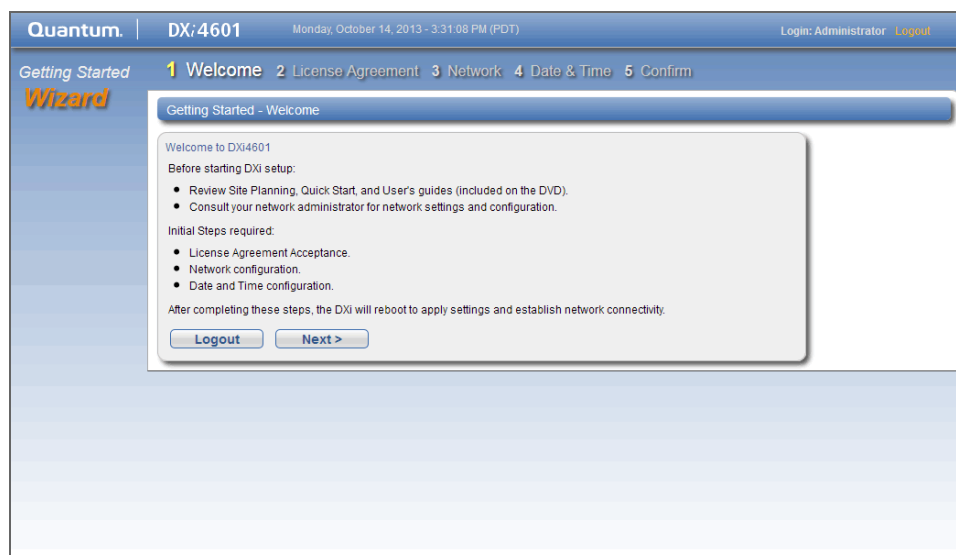
To complete the DXi4000 **Getting Started** wizard:

- 1 On the **Login** window, select **Administrator**, type **password** for the password, and click **Login**.

The **Welcome** page displays (see [Figure 12](#)).

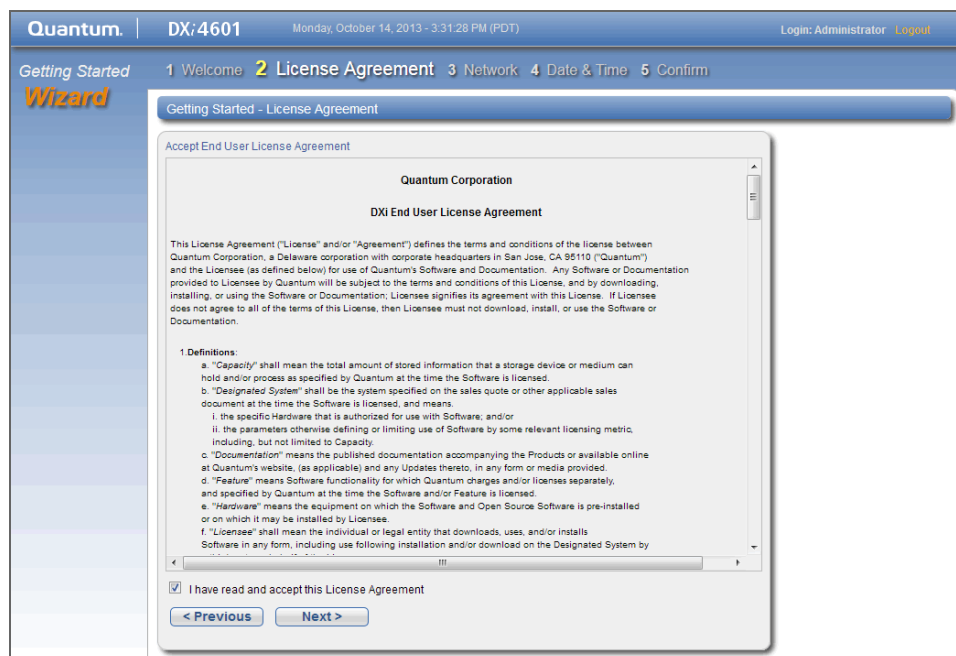
Note: If a message on the page indicates the DXi is in Limited Mode, wait ten minutes, and then log on again.

Figure 12 Getting Started Wizard: Welcome



- 2 Read the information about the wizard, and then click **Next** to continue. The **License Agreement** page displays (see [Figure 13](#)).

Figure 13 Getting Started Wizard: License Agreement



- 3 Select the **I have read and accept this License Agreement** check box, and then click **Next** to continue.

Note: If you do not accept the license agreement, the DXi4000 will not function.

The **Network** page displays (see [Figure 14](#)).

IMPORTANT - READ BEFORE CONTINUING

Steps 4–8 below provide an example of configuring network settings on the DXi4000. In this example, the DXi4000 is configured as follows:

- All Ethernet ports are configured as individual devices (**Not Bonded**).
- A single network interface with one IP address is configured for **eth2**.
- All traffic types (management, data, and replication) travel over the single network interface.
- All other settings are at default values.

The actual network settings you will enter depend on the configuration of your company's network and may differ from those below. Work with your network administrator to determine the correct settings for integrating the DXi4000 into your company's network.

If you set up the DXi4000 using the example below, you can always change the network settings as needed at a later time. For more information, see the "Network" section in the *Quantum DXi4000 User's Guide* (6-67092).

Caution: For effective bonded network use, a properly configured network switch is required. (A network switch is not supplied with the DXi4000.) The DXi4000 bonding settings must match the switch settings. If the switch settings and the DXi4000 settings do not match, your system may become inaccessible through the switch.

Note: The figure below is for illustrative purpose only. The **Network** page will reflect the actual number of physical ports in the system.

Figure 14 Getting Started Wizard: Network

Quantum | DX:4601 | Wednesday, October 16, 2013 - 3:15:13 PM (PDT) | Login: Administrator | Logout

Getting Started Wizard | 1 Welcome | 2 License Agreement | 3 Network | 4 Date & Time | 5 Confirm

Getting Started - Network

Configure Network Settings

General [?] **Action Required** This page is modified. The network settings will not be saved until the 'Apply' button is clicked.

*Hostname

Default Gateway Primary DNS IP Address [?]

DNS Suffix Search List [?] Secondary DNS IP Address

Tertiary DNS IP Address

Note: Domain Suffix Search List and DNS IP addresses cannot be changed while the DXi is joined to a Windows domain. To disjoin from the domain, go to the [Windows Domain](#) page.

* Required Field

IP Address Configuration [?]

[Hide Bonding Details](#) [?]

Note: To maintain system network connectivity the switch connected to your system must be configured to use the same bonding mode.

| | eth2(1GbE) | eth3(1GbE) | eth4(1GbE) | eth5(1GbE) | * Bonding Mode [?] |
|------------|-----------------------|-----------------------|-----------------------|-----------------------|-----------------------------------|
| Not Bonded | <input type="radio"/> | <input type="radio"/> | <input type="radio"/> | <input type="radio"/> | N/A |
| bond0 | <input type="radio"/> | <input type="radio"/> | <input type="radio"/> | <input type="radio"/> | Round Robin (Mode 0) [?] |
| bond1 | <input type="radio"/> | <input type="radio"/> | <input type="radio"/> | <input type="radio"/> | Round Robin (Mode 0) [?] |

[?]

[Show Interface Details](#) [?]

IP Address Table

Note: A maximum of 10 IP addresses per interface are allowed.

If replication is performed across public network with source and target DXi behind NAT routers, you must configure this DXi's NAT IP Address.

| IP Config | Type | Interface | VLAN ID | External | | | Replication NAT IP Config [?] | | Traffic Type Allowed [?] | | | | |
|-----------|--------|---------------------------------------|--------------------------|----------------------|--------------------------|----------------------|--|--------------------------|-----------------------------------|--------------------------|--------------------------|--------------------------|-------------------------------------|
| | | | | Host IP [?] | * IP Address | * Netmask | * Gateway | NATed | NAT IP Address | Mgmt | Repl | Data | Any |
| eth2 | Static | New | <input type="checkbox"/> | <input type="text"/> | <input type="checkbox"/> | <input type="text"/> | <input type="text"/> | <input type="checkbox"/> | <input type="text"/> | <input type="checkbox"/> | <input type="checkbox"/> | <input type="checkbox"/> | <input checked="" type="checkbox"/> |
| eth3 | Static | <input type="button" value="Add IP"/> | | | | | | | | | | | |
| eth4 | Static | <input type="button" value="Add IP"/> | | | | | | | | | | | |
| eth5 | Static | <input type="button" value="Add IP"/> | | | | | | | | | | | |

[?]

[Show Routing Details](#) [?]

Ethernet Port Backpanel Locations

Click to update current Ethernet port connectivity status.

- 4 Under **General**, enter the following network information as provided by your network administrator:
 - a Enter the **Hostname** used to identify the DXi4000 system.

The **Hostname** cannot be blank and must contain only letters [A–Z, a–z], numbers [0–9], hyphens [-], underscores [_], and dots [.].
 - b (Optional) Enter the **Default Gateway** IP address.

Specifying a default gateway is optional if all access is local to a particular subnet. For example, if the DXi4000 and all of its clients are on the same subnet, you do not need to specify a default gateway.

Caution: Specifying a default gateway is required to enable connectivity with all subnets other than those that the DXi4000 is directly connected to. For example, if the DXi4000 and its clients are on different subnets, you must specify a default gateway.

- c (Optional) In the **DNS Suffix Search List** box, enter the local domain to search first when resolving domain names.

The domain suffix is a single domain name. The domain name may contain only letters (A–Z), numbers (0–9), dots (.), and hyphens (-).
- d (Optional) In the **Primary, Secondary, and Tertiary DNS IP Address** boxes, enter the IP address of up to three DNS servers used to resolve domain names and translate them into IP addresses.

Caution: You must specify a DNS IP address if you plan to use hostname format when configuring an NTP time server, outgoing e-mail server, replication sources and targets, and other information.

- 5 Under **IP Address Configuration > Bonding Details**, configure each Ethernet port as a separate network device:
 - a If necessary, click the **Show** link to show the bonding details table.
 - b In the **Not Bonded** row, make sure each Ethernet port is selected (**eth2, eth3**, and so on).
 - c If necessary, click **Update** to save the changes you made to the **Bonding Details** table.
- 6 Do not make any changes under **IP Address Configuration > Interface Details** unless directed by your network administrator. (For more information about the VLAN tag and MTU size options, see the “Network” section in the *Quantum DXi4000 User’s Guide*, 6-67092).
- 7 Under **IP Address Configuration > IP Address Table**, enter network information for the **eth2** device:

Note: Do not make any entries in the **VLAN ID, External Host IP, NATed, or NAT IP Address** columns unless directed by your network administrator.

- a Select the **eth2** row in the table.

- b If necessary, click **Add IP** to enable entry in the **IP Address** box.
- c Enter the following network information as provided by your network administrator (all fields are required):

Caution: Make sure you enter the correct IP address information and that you write this information down. If you enter the incorrect IP address information and reboot, you will not be able to access the system.

- **IP Address** - The IP address of the DXi4000.
 - **Netmask** - The network mask of the DXi4000.
 - **Gateway** - The gateway of the DXi4000. (This is usually not the same as the default gateway.)
- d Select the **Any** check box to allow all traffic types (management, replication, and data) on the interface.
 - e Click **Update** to save the changes you made to the **IP Address** table.
- 8 Do not make any changes under **IP Address Configuration > Routing Details** unless directed by your network administrator.

Note: If the DXi needs to communicate with another subnet that is not reachable using the default gateway, a route must be added under the **Routing Details** section. (For more information about interface routing, see the "Network" section in the *Quantum DXi4000 User's Guide*, 6-67092).

- 9 Click **Next** to continue.

The **Date & Time** page displays (see [Figure 15](#)).

Figure 15 Getting Started Wizard: Date & Time

Quantum | DXi4601 | Monday, October 14, 2013 - 3:33:37 PM (PDT) | Login: Administrator | Logout

Getting Started Wizard | 1 Welcome | 2 License Agreement | 3 Network | 4 Date & Time | 5 Confirm

Getting Started - Date & Time | Help

Configure Date & Time Settings
Any change to Date & Time Settings requires a system reboot.

Network Time Protocol (NTP) Server (Recommended) ? | Manual Date & Time Settings

Current Date: Monday, October 14, 2013

New System Date: Monday, October 14, 2013

Current Time: 3:33:37 PM (PDT)

New System Time: 03 : 33 : 37 PM

Timezone: America/Los_Angeles

Time Format: 24 Hours | 12 Hours

Reset | < Previous | Next >

- If necessary, select **Manual Date & Time Settings** to manually set the system date and time.

Specify the **New System Date** by clicking **Calendar**. Specify the **New System Time** using the drop-down boxes.

Note: You can also choose to synchronize the system time with an NTP time server. To select a timeserver pool, you must have specified at least one DNS IP address in step 5d above. Otherwise, you must specify the IP address of the timeserver pool. For more information, see the Quantum DXi4000 *User's Guide* (6-67092).

- In the **Timezone** drop-down box, select the time zone where the DXi4000 is located.
- Next to **Time Format**, select the format to use when displaying times (**24 hours** or **12 hours**).
- Click **Next** to continue.

The **Confirm** page displays (see [Figure 16](#)).

Figure 16 Getting Started Wizard: Confirm

Quantum | DXi:4601 | Wednesday, October 16, 2013 - 3:21:00 PM (PDT) | Login: Administrator | Logout

Getting Started Wizard | 1 Welcome | 2 License Agreement | 3 Network | 4 Date & Time | 5 Confirm

Getting Started - Confirm Settings & Reboot

Confirm Settings
Please confirm the settings below are correct. Use the 'Previous' button to return to any sections needing changes.

Network Settings

General Network Configuration:

Hostname: [text box]
 Domain Suffix Search List: node-1
 Default Gateway: 10.[text box]
 Primary DNS IP Address: [text box]
 Secondary DNS IP Address: [text box]
 Tertiary DNS IP Address: [text box]

Interface Details Configuration:

| Device | Physical Port(s) | Bonding Mode | Jumbo Frame | Link Speed | Link Status | Carrier Status |
|--------|------------------|--------------|------------------|------------|-------------|----------------|
| eth2 | eth2 | N/A | [MTU Size: 1500] | 1GbE | Up | Up |
| eth3 | eth3 | N/A | [MTU Size: 1500] | 1GbE | Up | Up |
| eth4 | eth4 | N/A | [MTU Size: 1500] | 10GbE | Down | No Carrier |
| eth5 | eth5 | N/A | [MTU Size: 1500] | 10GbE | Down | No Carrier |

IP Address Configuration:

| IP Config Type | Device | Interface Name | VLAN ID | External Host IP | IP Address | Netmask | Gateway | NATed | NAT IP Address | Traffic Type Allowed |
|----------------|--------|----------------|---------|------------------|---------------|----------------|---------------|-------|----------------|----------------------|
| Static | eth2 | eth2.1 | | No | 10.[text box] | 255.[text box] | 10.[text box] | No | | Any |
| | eth3 | Not Configured | | | | | | | | |
| | eth4 | Not Configured | | | | | | | | |
| | eth5 | Not Configured | | | | | | | | |

Routing Details:

[text box] | [text box] | [text box] | [text box] | [text box] | [text box]

Date & Time Settings Set Manually
 New System Date: Wednesday, October 16, 2013
 New System Time: 03:20:57 PM
 Time Format: 12 Hours
 Timezone: America/Los_Angeles

< Previous | Finish

- 14 Review the settings you selected to make sure they are correct. If necessary, click **Previous** to return to a previous step to make changes
 - 15 After you have confirmed all settings, click **Finish**.
A message appears stating that completing the setup will restart the system.
 - 16 Click **Yes** to restart the system.
 - 17 Disconnect the computer from the DXi4000. Reset the computer network settings back to its default values.
 - 18 Wait for the system to fully restart. This can take up to 30 minutes.
- Continue with the next section to create a typical backup configuration.

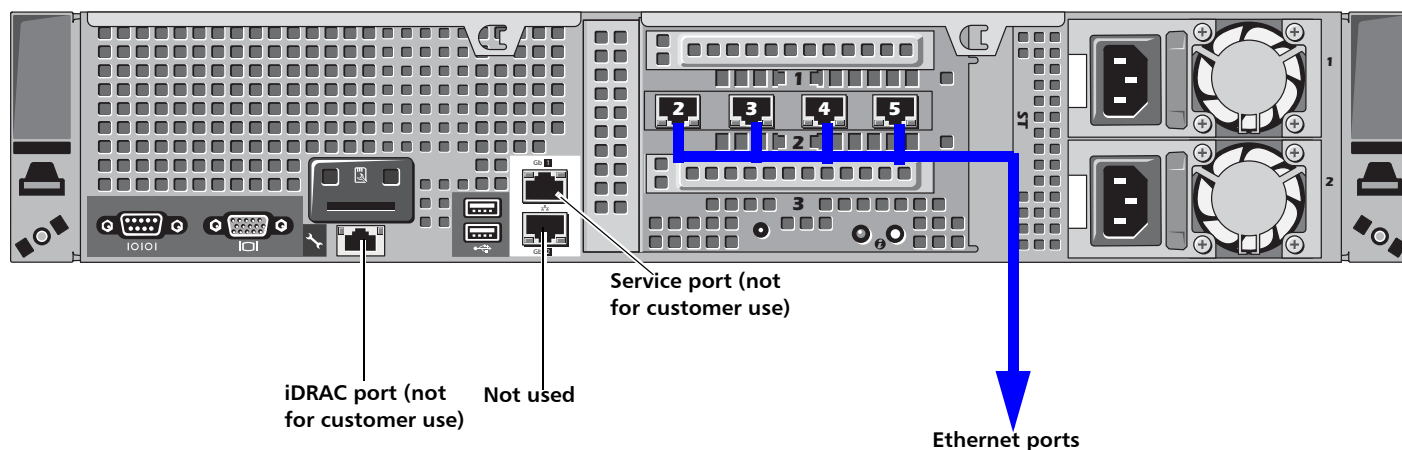
Connecting the Ethernet Cables

Connect the Ethernet cables to the DXi4000 as follows (see [Figure 17](#)).

Note: The Ethernet cables are used for remote management and NAS connectivity. Review the *DXi4000 Site Planning Guide* (6-67093) to determine the number of Ethernet cables to attach. When connecting and disconnecting Ethernet cables or making configuration changes, it is normal for the **Admin Alert** indicator to display on the remote management console.

- 1 Connect up to four Ethernet cables to the quad port NIC (ports 2, 3, 4, and 5).

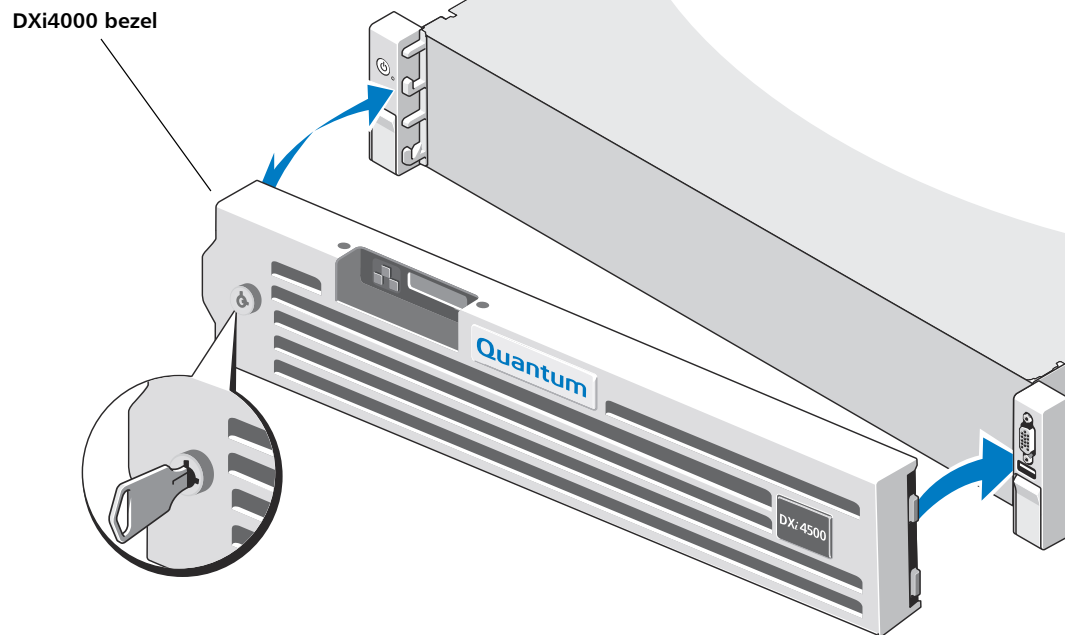
Figure 17 Connecting the Ethernet Cables



- 2 Install a bezel on the front of the DXi4000. The bezel snaps into place on the front of the DXi4000 to prevent the removal of the system from the rack (see [Figure 18](#)).

Note: The keys that lock and unlock the front bezel are located in the accessory kit.

Figure 18 Installing the Front Bezels



Creating a Typical Backup Configuration

Before you can begin using the DXi4000 for backups, you must configure the system for NAS or Symantec™ NetBackup OST. See the following sections for detailed instructions for completing each type of configuration:

- [Installed System Licenses](#) on page 22
Refer to this section for information on installed system licenses.
- [OST Configuration](#) on page 23
See this section to configure the DXi4000 to use OST (OpenStorage) and Symantec NetBackup to perform backups and Optimized Duplication.
- [NAS Configuration](#) on page 23
See this section to configure the DXi4000 to use NAS (network attached storage) for backups.

Installed System Licenses

The following licenses are installed by default on the system:

- **Deduplication License**
- **NAS connectivity License**
- **OST (Open Storage) License**
- **Replication License**

OST Configuration

The following components are required for OST (Open Storage) operation with the DXi4000:

- Symantec NetBackup 7.x (or later) or Symantec Backup Exec 2010 (or later).

Caution: NetBackup 7.x and Backup Exec 2010 are the minimum versions required for OST functionality.

- Quantum OST storage server (included with the Quantum DXi4000 software)
- Quantum OST plug-in (downloaded separately through the remote management console or from the Quantum Service and Support Web site)

To enable OST on the DXi4000:

- 1 Download and install the Quantum OST Plug-in according to the instructions in the *Quantum DXi-Series: NetBackup and Backup Exec OST Configuration Guide* (6-67079).

Note: You can obtain a copy of the *OST Configuration Guides* at: <http://www.quantum.com/dxi4000docs>

- 2 Follow the steps in the *OST Configuration Guide* to configure the DXi4000 and NetBackup or Backup Exec to perform backups and OST Optimized Duplication.
- 3 To optimize your backup environment:
 - Follow the procedures in the *NetBackup from Symantec with DXi-Series Best Practice Guide* (20020428). To obtain a copy, visit the DXi-Series product pages on www.quantum.com.
 - Follow the procedures in the *Backup Exec from Symantec with DXi-Series Best Practice Guide* (6-67709). To obtain a copy, visit the DXi-Series product pages on www.quantum.com.
- 4 To learn more about operating the DXi4000, refer to the *Quantum DXi4000 User's Guide* (6-67092).

NAS Configuration

The DXi4000 presents its disk storage as NAS (network attached storage) shares. Before you can use the DXi4000 for backups, you must create at least one NAS share on the system. After you create a NAS share, you can configure your backup application to back up data to the share.

Use the following procedure to set up a basic NAS share.

Note: Do not use this procedure if you are using OST to perform backups. Instead, see [OST Configuration](#) on page 23.

Note: This procedure assumes you are creating a NAS share in a Windows environment. Refer to the *Quantum DXi4000 User's Guide (6-67092)* for additional NAS configuration information.

1 Log on to the DXi4000 remote management console:

- a** On a computer on the same subnet as the DXi4000, enter the IP address of the system in the **Address** box of a supported Web browser.

Use the IP address you specified when setting up the system.

The **Login** window displays (see [Figure 11](#)).

- b** Select **Administrator**, type **password** for the password, and click **Login**.

If this is the first time you have logged on since completing the **Getting Started** wizard, then the **Configuration Wizards** page displays. Otherwise, the **Home** page displays.

2 Access the **NAS** wizard:

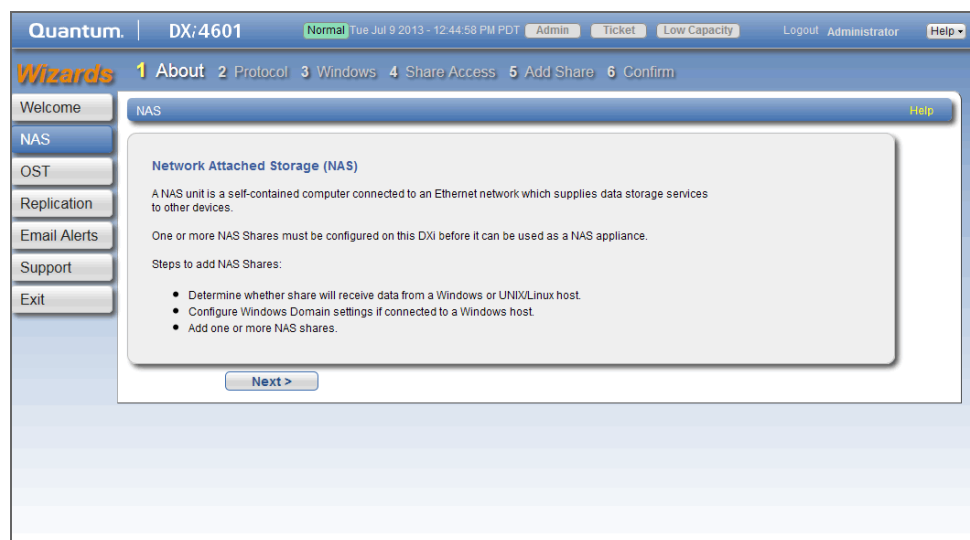
Note: This procedure assumes you are joining the DXi4000 to a Windows workgroup. If your site uses Active Directory instead of workgroups, refer to the *Quantum DXi4000 User's Guide (6-67092)* for information on joining a Windows domain using Active Directory.

- a** If the **Wizards** menu is not visible, click **Wizards** on the main menu.

- b** On the **Wizards** menu, click **NAS**.

The **About** page displays (see [Figure 19](#)).

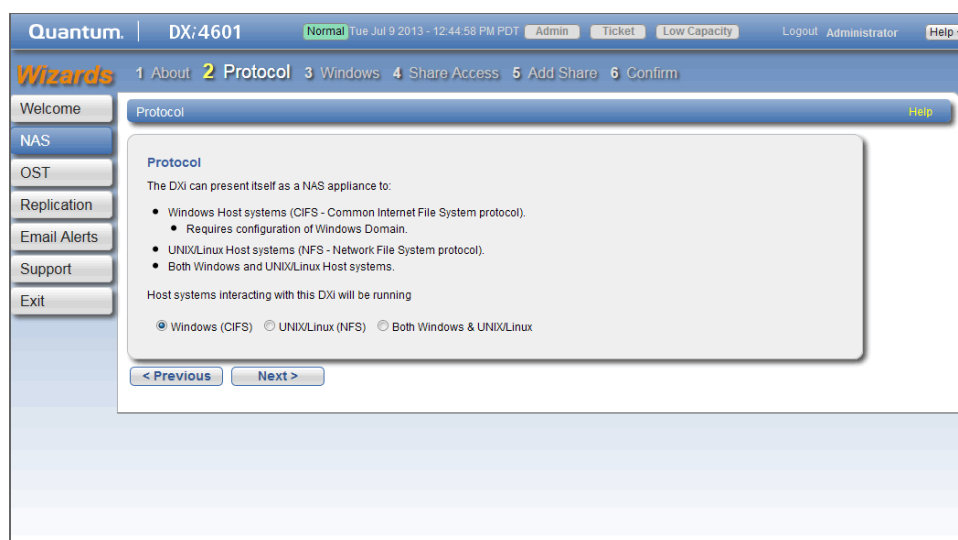
Figure 19 NAS Wizard: About



3 Read the information about the wizard, and then click **Next** to continue.

The **Protocol** page displays (see [Figure 20](#)).

Figure 20 NAS Wizard:
Protocol



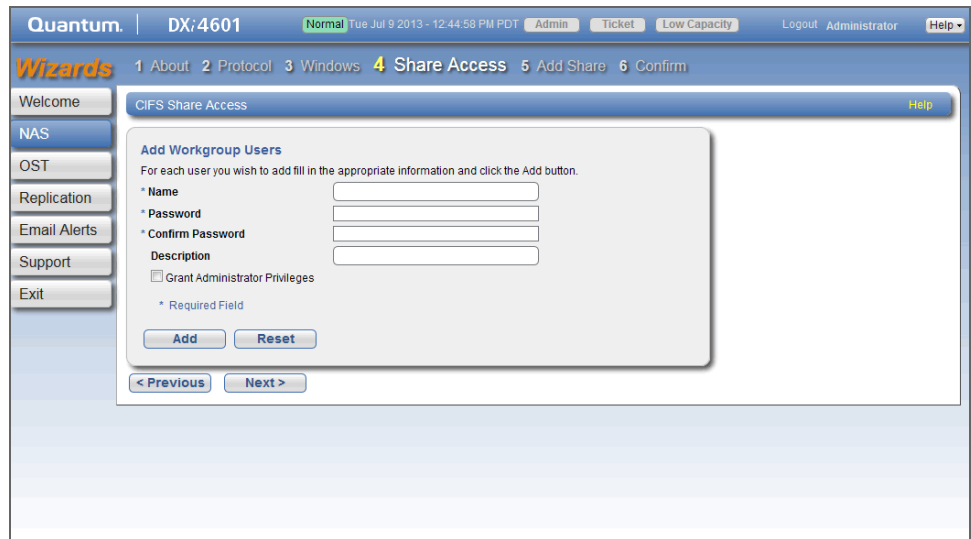
- 4 Select the **Windows (CIFS)** option, and then click **Next** to continue. The **Windows** page displays (see [Figure 21](#)).

Figure 21 NAS Wizard:
Windows



- 5 Enter information about the Windows domain:
 - a Select the **Workgroup** option.
 - b In the **Domain/Workgroup Name** box, enter the name of the workgroup the DXi4000 is joining.
- 6 Click **Next** to continue. The **Share Access** page displays (see [Figure 22](#)).

Figure 22 NAS Wizard: Share Access



The screenshot shows the Quantum NAS Wizard interface. The top navigation bar includes 'Quantum', 'DXi4601', 'Normal', 'Tue Jul 9 2013 - 12:44:58 PM PDT', 'Admin', 'Ticket', 'Low Capacity', 'Logout', 'Administrator', and 'Help'. The wizard steps are: 1 About, 2 Protocol, 3 Windows, 4 Share Access (current), 5 Add Share, 6 Confirm. The left sidebar contains: Welcome, NAS, OST, Replication, Email Alerts, Support, and Exit. The main content area is titled 'CIFS Share Access' and contains a 'Help' button. A central dialog box titled 'Add Workgroup Users' contains the following text: 'For each user you wish to add fill in the appropriate information and click the Add button.' Below this are four input fields: '* Name', '* Password', '* Confirm Password', and 'Description'. There is a checkbox for 'Grant Administrator Privileges' and a note '* Required Field'. At the bottom of the dialog are 'Add' and 'Reset' buttons. Below the dialog are '< Previous' and 'Next >' buttons.

7 Enter information about the workgroup user that will be used to authenticate CIFS shares:

- **User Name** - Enter the name of the workgroup user.
- **Password** - Enter the password for the workgroup user.
- **Confirm Password** - Enter the password again to confirm it.
- **Description** - (Optional) Enter a brief description of the workgroup user.
- **Grant Administrator Privileges** - Select the check box to add the workgroup user to the Windows Administrators group.

This allows the workgroup user to override certain permissions settings and prevents the workgroup user from being locked out of shares or directories.

8 Click **Add**.

9 Click **Next** to continue.

The **Add Share** page displays (see [Figure 23](#)).

Figure 23 NAS Wizard: Add Share

Quantum | DXi4601 | Normal | Tue Jul 9 2013 - 12:44:58 PM PDT | Admin | Ticket | Low Capacity | Logout | Administrator | Help

Wizards 1 About 2 Protocol 3 Windows 4 Share Access 5 Add Share 6 Confirm

Welcome | Add Shares | Help

Add Share

For each share you wish to add fill in the appropriate information and click the Add button.

Shares: 22 | Maximum: 128

* Name:

Description:

Enable deduplication ? Deduplication setting cannot be changed after share is created.

Hide from network browsing

Export Protocol

CIFS (Windows network)

NFS (UNIX/Linux network)

* Required Field

Add Reset

< Previous Next >

10 Enter information about the new NAS share you are creating:

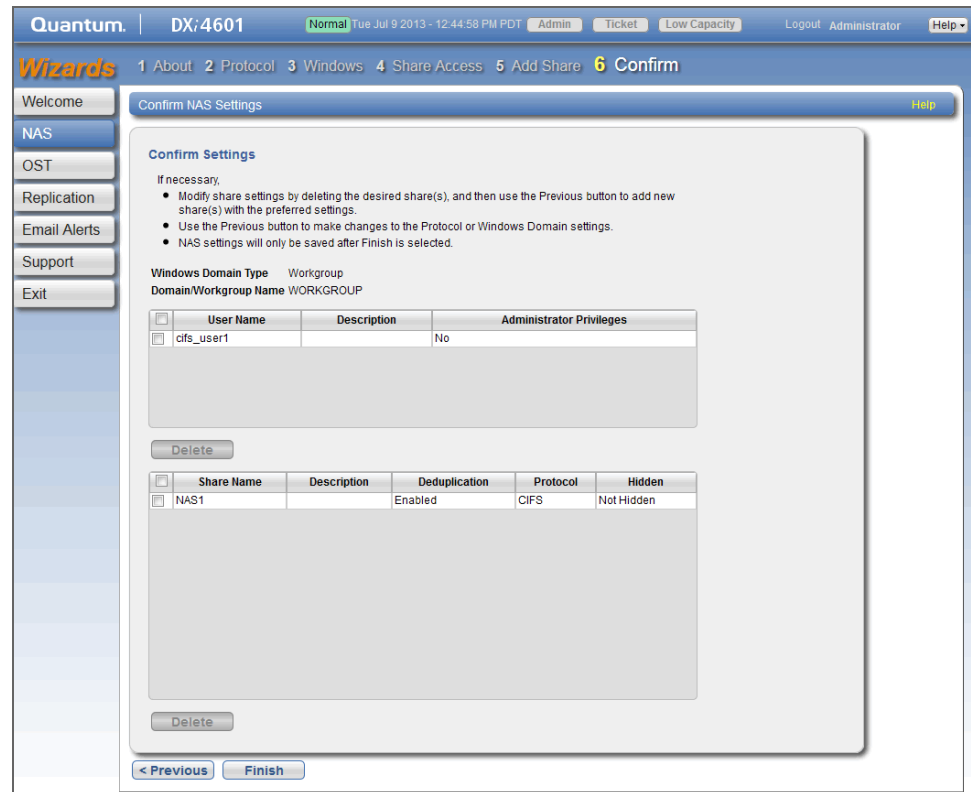
- **Name** - Enter the name of the NAS share. The share will appear as this name on the Windows network.
- **Description** - (Optional) Enter a brief description of the share.
- **Enable data deduplication** - Make sure the check box is selected to enable data deduplication. (Data deduplication is enabled by default.)
- **Hide from network browsing** - Do not select this check box. If selected, you cannot see the share when browsing the network.

11 Click Add.

12 Click Next to continue.

The **Confirm** page displays (see [Figure 24](#)).

Figure 24 NAS Wizard: Confirm



13 Complete the NAS wizard:

- a Review the settings you selected to make sure they are correct. If necessary, click **Previous** to return to a previous step to make changes.
- b To make changes to a NAS share you added, first select the share and click **Delete** to delete the share. Then click **Previous** to return to the previous step and add a new share.
- c After you have confirmed all settings, click **Finish**. The NAS share is created and becomes available on the Windows network.

14 To verify the NAS share:

- a On a computer on the same network as the DXi4000, click **Start** and then **Run**.
- b Type: \\<IP address of the DXi4000>\<name of the NAS share>
- c Press **Enter**.

The NAS share will display the NAS share in **Windows Explorer** if successful.

15 The DXi4000 is now ready to use for backup operation. The installation is successful when you are able to backup data to the system. Here are the next steps you can take:

- Quantum recommends enabling **Email Reports** after you install your DXi. When enabled, **Email Reports** periodically sends system configuration and status information to Quantum, including any software upgrades you have installed using the **Software Upgrade Utility**. Quantum Support can use this information to provide a better support experience in the future.

To configure **Email Reports**:

- a Make sure a valid outgoing e-mail server is specified on the **Configuration > Notifications > Email > Server** page.
 - b (Optional) Specify any additional recipients to receive the reports on the **Configuration > Notifications > Email > Email Reports > Recipients** page.
 - c Make sure a weekly **Email Reports** schedule is configured on the **Configuration > Scheduler** page. Configure two weekly recurring events: one for **Status** reports and one for **Configuration** reports.
- Use the other **Configuration Wizards** on the **Wizards** menu to configure additional features of the DXi:
 - **OST Wizard** - Helps you configure the DXi to present its storage as one or more OST (OpenStorage) storage servers for use with a backup application.
 - **Replication Wizard** - Helps you configure the DXi to send replicated data to or receive replicated data from another DXi system.
 - **Email Alerts Wizard** - Helps you configure the DXi to automatically send notifications and reports to selected recipients.
 - **Support Wizard** - Helps you enable licensed features on the DXi, register your system with Quantum, and perform other tasks that will aid Quantum customer support in assisting you.

Note: To learn more about using the **Configuration Wizards**, refer to the *Quantum DXi4000 User's Guide* (6-67092).

- To configure your backup application to begin performing backups to the new NAS share, refer to your backup application documentation.
- To learn more about operating the DXi4000, refer to the *Quantum DXi4000 User's Guide* (6-67092).
- To enable remote replication of the NAS share to another DXi™-Series system, refer to Chapter 6, "DXi4000 Replication" in the *Quantum DXi4000 User's Guide*.
- (DXi4601 only) To upgrade the storage capacity of the DXi4601, contact your Quantum sales representative. Raw storage capacity can be upgraded at any time in increments of 4 TB, up to a total of 12 TB. Storage capacity upgrades are enabled simply by adding a license key and rebooting the system.

Note: After you obtain the storage capacity license, refer to the section "Adding a License Key" in the *DXi4000 User's Guide* (6-67092) for instructions on completing the capacity upgrade.



For assistance, contact the Quantum Customer Support Center:

USA: **1-800-284-5101 (toll free) or +1-720-249-5700**

EMEA: **+800-7826-8888 (toll free) or +49-6131-3241-1164**

APAC: **+800-7826-8887 (toll free) or +603-7953-3010**

Worldwide: **<http://www.quantum.com/ServiceandSupport>**

Quantum[®]
BE CERTAIN

©2013 Quantum Corporation. All rights reserved. Quantum and the Quantum logo are registered trademarks of Quantum Corporation and its affiliates in the United States and/or other countries. All other trademarks are the property of their respective owners. Protected by Pending and Issued U.S. and Foreign Patents, including U.S. Patent No. 5,990,810.

About Quantum

Quantum is a proven global expert in Data Protection and Big Data management, providing specialized storage solutions for physical, virtual and cloud environments. From small businesses to major enterprises, more than 50,000 customers trust Quantum to help maximize the value of their data by protecting and preserving it over its entire lifecycle. With Quantum, customers can Be Certain they're able to adapt in a changing world—keeping more data longer, bridging from today to tomorrow, and reducing costs. See how at www.quantum.com/BeCertain.